

# HEAT CONTROLLER, INC.

## HYDRONIC AIR HANDLERS

### Matched to 13 SEER A/C Condensers

Also can be matched to 10 & 12 SEER systems

### Blower Time Delay (30-45 Seconds)

Warms the coil before the blower is energized to prevent cold air release

### Line Voltage Terminal Block and Low Voltage Terminal Strip

Allows fast, simple thermostat connection

### High-Temp Nylon Drain Pans

Resists corrosion and bacterial growth

### Slide-Out Blower Assembly

Makes service and maintenance fast

### Factory Installed Air Filter

Available in standard sizes

### Freeze Protection for Both Heating & Cooling

Protects the entire system year 'round

### 3/4" Water Connections

Assures correct water supply lines

### Multi-Position—Vertical, Horizontal left or right, and Downflow

(with conversion kit)

## AHB SERIES 1 1/2 TO 5 TONS



**13 SEER**

## CABINET FEATURES

- Galvanized, pre-painted steel for maximum corrosion protection
- Interlocking access panels and gasketed screws to eliminate air leakage

## EVAPORATOR COIL

- Aluminum fin/copper tube, TXV included
- Nylon drain pans
- Primary and secondary drains
- Coil carries a 5 year warranty

## HYDRONIC COIL

- Built-in design
- Aluminum fin/copper tube construction
- Air bleed valves
- 3/4" water connections

## ELECTRIC SUPPLY

- 115V 60Hz system, 24 volt control circuit
- Low voltage terminal strip
- High voltage supply at top of cabinet
- Post-purge timer for cooling

## AHB Series Hydronic Air Handlers—1½ to 5 Tons

The AHB family of highly efficient Hydronic Air Handlers offers the most-wanted features in the industry:

- Low voltage terminal strip and 24 volt transformer included for easy wiring
- Blower time delay of 30 to 45 seconds preheats the hydronic coil
- Freeze protection in both heat and cool modes provides the ultimate in protection for the entire system
- Slide-out blower assembly makes service and maintenance fast and easy
- Multi-position design can be installed vertically, horizontally left or right, or in a downflow configuration with a conversion kit
- ARI matched with Heat Controller's line of 13 SEER condensing units; also can be matched with 10 and 12 SEER condensing units

### PERFORMANCE DATA

MODEL	TONS CLG	REFRIGERANT CONN. SIZE	ARI MATCHED COND. UNIT	NOMINAL HTG. @ 180°F (BTUH)	NOM. AIR FLOW (CFM)	FILTER SIZE	SHIPPING WEIGHT
AHB1324	1.5	3/4" and 3/8"	RSD1318-1	52,000	600	16" x 20" x 1"	135
AHB1324	2.0	3/4" and 3/8"	RSD1324-1	52,000	800	16" x 20" x 1"	135
AHB1330	2.5	3/4" and 3/8"	RSD1330-1	63,000	1,000	16" x 20" x 1"	135
AHB1336	3.0	3/4" and 3/8"	RSD1336-1	82,000	1,330	20" x 25" x 1"	185
AHB1348	3.5	7/8" and 3/8"	RSD1342-1	107,000	1,450	20" x 25" x 1"	185
AHB1348	4.0	7/8" and 3/8"	RSD1348-1	107,000	1,740	20" x 25" x 1"	185
AHB1360	5.0	7/8" and 3/8"	RSD1360-1	125,000	2,000	20" x 25" x 1"	185

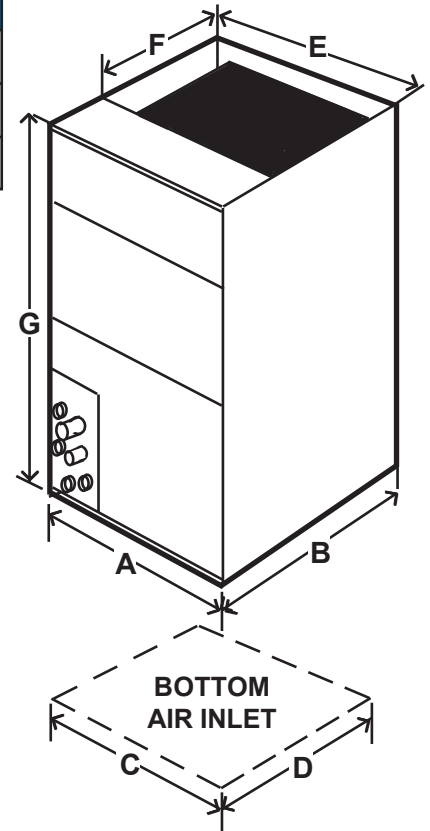
### BLOWER PERFORMANCE DATA

MODEL	MOTOR@115V 60HZ		BLOWER WHEEL	MOTOR SPEEDS	SCFM vs. ESP(1)				
	HP	FLA			0.1	0.2	0.3	0.4	0.5
AHB1324	1/4	3.2	10 x 6	H	840	790	750	700	660
				M	820	760	725	680	630
				L	770	700	630	600	—
AHB1330	1/3	6.2	10 x 7	H	1010	980	930	865	830
				M	975	935	895	845	800
				L	950	900	860	810	—
AHB1336	1/3	6.2	10 x 8	H	1360	1310	1270	1230	1190
				M	1340	1250	1170	1090	1060
				L	1280	1170	1040	970	—
AHB1348	3/4	9.5	11 x 9	H	1860	1740	1640	1530	1480
				M	1780	1620	1510	1390	1280
				L	1680	1500	1320	1250	—
AHB1360	3/4	9.7	11 x 11	H	1950	1900	1845	1770	1720
				M	1820	1750	1620	1470	1440
				L	1750	1640	1390	1270	—

(1) Based on unit with nominal tonnage dry coil and filter installed.  
Use .96 as approximate correction factor for wet coil.

## DIMENSIONS (inches)

MODEL	A	B	C	D	E	F	G
AHB1324, 1330	17 <sup>1</sup> / <sub>2</sub>	21	15	17 <sup>1</sup> / <sub>2</sub>	16	12 <sup>5</sup> / <sub>8</sub>	40 <sup>3</sup> / <sub>4</sub>
AHB1336, 1348	21 <sup>1</sup> / <sub>2</sub>	25	19 <sup>1</sup> / <sub>4</sub>	22 <sup>1</sup> / <sub>4</sub>	19 <sup>5</sup> / <sub>8</sub>	17 <sup>1</sup> / <sub>4</sub>	49 <sup>3</sup> / <sub>4</sub>
AHB1360	21 <sup>1</sup> / <sub>2</sub>	25	19 <sup>1</sup> / <sub>4</sub>	22 <sup>1</sup> / <sub>4</sub>	19 <sup>5</sup> / <sub>8</sub>	17 <sup>1</sup> / <sub>4</sub>	49 <sup>3</sup> / <sub>4</sub>



## DOWNFLOW CONVERSION KITS

MODEL	KIT NUMBER
AHB1324	7606-101G
AHB1330	7606-102G
AHB1336	7606-103G
AHB1348	7606-104G
AHB1360	7606-105G

## EXTENDED RANGE DATA (water temperature)

MODEL	HEATING NOM. SCFM*	130°F	140°F	150°F	160°F	170°F	180°F	GPM	P.D. FT. H <sub>2</sub> O
AHB1324	790H	29,000	33,000	38,000	42,800	47,600	52,000	4	2.3
AHB1330	980H	34,000	39,000	43,000	48,500	56,000	62,500	4	2.3
AHB1336	1170L	45,000	50,000	60,000	67,000	74,000	82,000	4	1.4
AHB1348	1740H	59,000	67,000	78,000	88,000	97,000	107,000	4	.80
AHB1360	1900H	69,000	80,000	91,000	102,500	113,500	125,000	7	2.5

\* H=High, L=Low

## AHB EXTENDED RANGE DATA (based on water flow)

MODEL	180°F ENTERING WATER							
	2.0 GPM	3.0 GPM	4.0 GPM	5.0 GPM	6.0 GPM	7.0 GPM	8.0 GPM	9.0 GPM
AHB1324	43,250	48,250	52,000	54,200	55,800	N/A	N/A	N/A
AHB1330	50,400	58,200	63,000	66,200	68,500	N/A	N/A	N/A
AHB1336	65,000	74,500	82,000	87,000	90,700	N/A	N/A	N/A
AHB1348	74,300	93,000	107,000	115,100	122,000	N/A	N/A	N/A
AHB1360	75,900	95,700	109,500	119,600	123,300	125,000	128,600	133,000

Heat Controller has been in the business of keeping homes comfortable in all seasons since 1933. We offer a full line of energy efficient, quality constructed products including furnaces, heat pumps, air conditioners, dehumidifiers, ductless mini-split systems, and systems designed specifically for mobile homes. Our commercial/industrial line provides comfort solutions with capacities up to 35 tons. Each of the products is backed by outstanding warranty coverage and after-sales support.

Your contractor or local dealer can help you select the equipment that is best suited to your needs and lifestyle.

## ... And for the best in year 'round comfort, AHB air handlers are ideally matched with our central air conditioners



13 SEER models are available in a wide range of sizes and feature the industry's best warranty—12 years on the compressor and 6 years on all other components.



Specifications and performance data subject to change without notice.

## HEAT CONTROLLER, INC.

1900 WELLWORTH AVENUE • JACKSON, MICHIGAN 49203  
THE QUALITY LEADER IN CONDITIONING AIR

**visit us at [www.heatcontroller.com](http://www.heatcontroller.com)**