

Meridian

2AC13 13 SEER AIR CONDITIONERS



The Meridian 2AC13 series air conditioners utilize a very efficient and extremely durable Micro-Channel condenser coil. Developed about a half century ago for automotive radiators, and then used widely in heat exchanger coils for cars and trucks, Micro-Channel has proved its durability in literally millions of installations. It is less prone to damage than conventional copper tube aluminum fin coils. Because of its all aluminum construction, it is also less susceptible to corrosion than most other air conditioner condenser coils. Be a step ahead of your competition with the Meridian 2AC13.

STANDARD FEATURES

COMPACT, HIGH EFFICIENCY DESIGN

POWDER PAINTED
GALVANIZED STEEL CASE WITH
FULL LOUVERED EXTERIOR

SOUND ABSORBING
INJECTION MOLDED TOP CAP

HIGH EFFICIENCY COMPRESSORS
SCROLLS ON 2.5-TON & LARGER

HIGH EFFICIENCY
MICRO-CHANNEL CONDENSER COIL

FACTORY INSTALLED
LIQUID LINE FILTER DRIER

EASY ACCESS
BRASS SERVICE VALVES

ONE FOOT PRINT
1.5 THRU 5.0- TON SIZES

EASY SERVICE-ABILITY
A SINGLE SCREW OPENS
ELECTRICAL ACCESS PANEL

CONTRACTOR FRIENDLY
R-22 REFRIGERANT

EASY COMPRESSOR SERVICE
MAX HEIGHT IS 28.5 IN.



5-YEAR LIMITED COMPRESSOR WARRANTY
5-YEAR LIMITED WARRANTY ON ALL FUNCTIONAL PARTS

Texas Furnace, LLC 7037 Brittmore; Houston, Texas 77041 • 713 466 1504 • FAX 713 466 3648 • www.texasfurnace.com

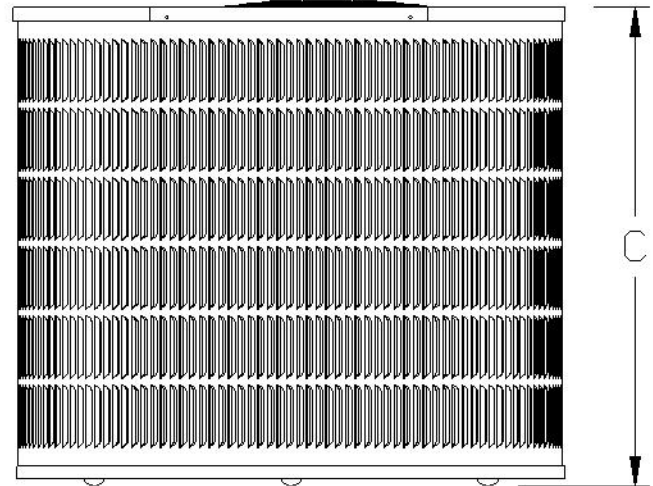
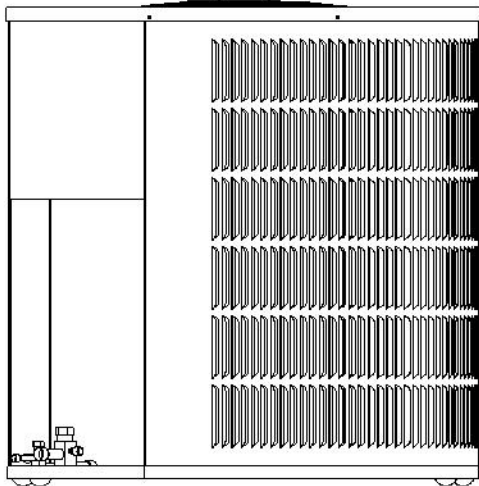
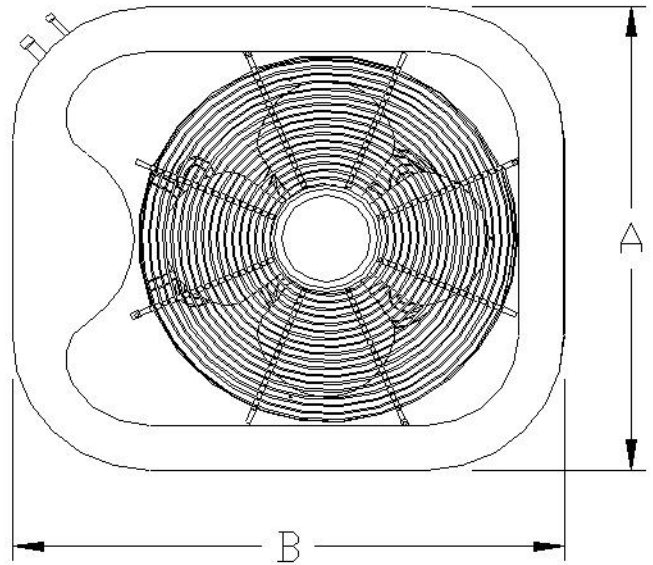


2AC13 13 SEER AIR CONDITIONERS

2AC13 DIMENSIONS

MODEL	A	B	C
2AC13018	31.25	36.25	16.5
2AC13024	31.25	36.25	16.5
2AC13030	31.25	36.25	16.5
2AC13036	31.25	36.25	20.5
2AC13042	31.25	36.25	20.5
2AC13048	31.25	36.25	24.5
2AC13060	31.25	36.25	28.5

All dimensions are measured in inches.



ELECTRICAL CHARACTERISTICS

Model Number	Phase	Freq. (Hz)	Voltage	Compressor		Fan Motor Full Load Amps	Minimum Circuit Amperes	Fuse/HACR Circuit Breaker	
				Rated Amperes (RLA)	Locked Amperes (LRA)			Min	Max
2AC13018	1	60	208/230	8.4	39	0.9	12/12	15/15	15/15
2AC13024	1	60	208/230	11.3	51	0.9	16/16	20/20	25/25
2AC13030	1	60	208/230	13.6	67	0.8	18/18	25/25	30/30
2AC13036	1	60	208/230	16.0	77	0.8	21/21	30/30	35/35
2AC13042	1	60	208/230	18.4	95	1.5	25/25	35/35	40/40
2AC13048	1	60	208/230	20.4	109	1.5	27/27	35/35	45/45
2AC13060	1	60	208/230	28.0	148	1.8	37/37	45/45	60/60



2AC13 13 SEER AIR CONDITIONERS

Designed by contractors, for contractors!



Removing.....

just one screw

and the electrical control box cover slides down giving full access to all operating controls!



UNIT SPECIFICATIONS

	1.5	2	2.5	3	3.5	4	5
Nominal Capacity	1.5	2	2.5	3	3.5	4	5
Model Number	2AC13018	2AC13024	2AC13030	2AC13036	2AC13042	2AC13048	2AC13060
Rated BTUH	18000	24000	29000	34000	41000	46000	57000
SEER	13.0	13.0	13.0	13.0	13.0	13.0	13.0
Compressor Type	Reciprocating		Compliant Scroll				
Compressor Manufacturer	Copeland						
Condensing Coil	All Aluminum Micro-Channel Design						
Liquid Line Connection	3/8"	3/8"	3/8"	3/8"	3/8"	3/8"	3/8"
Suction Line Connection	3/4"	3/4"	3/4"	3/4"	7/8"	7/8"	7/8"
Refrigerant	R-22	R-22	R-22	R-22	R-22	R-22	R-22
Cabinet	Fully Louvered Galvanized Steel with Powder Coat Protection						

